

ITEM **#155-B**

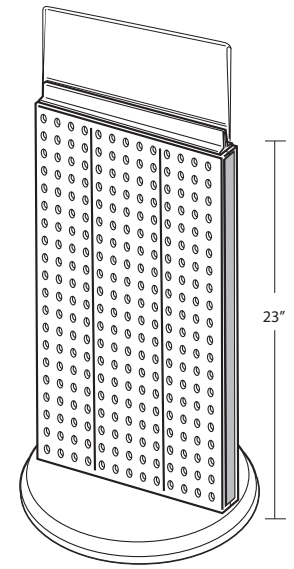
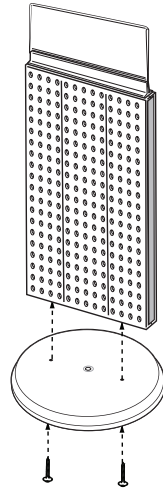
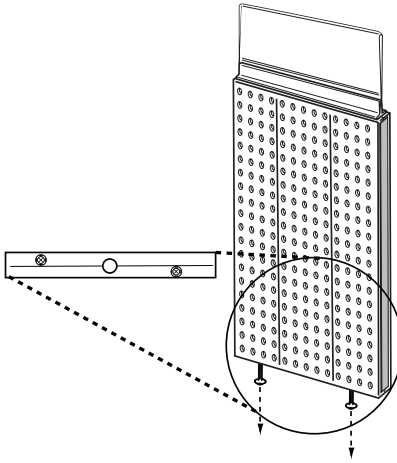
**13.5" X 22"**  
TABLETOP PRODUCT DISPLAY STAND



30 Bayside Court  
Laconia, NH 03246

Unscrew the two screws from the bottom of the pegboard panel.

Align the revolving base with the pegboard so the holes match. Secure the pegboard to the base with provided screws. Slide double-sided Madeira brand sign into plastic header or contact Madeira to customize a sign for you.



#155-B 13.5" X 22"

**1 pc.**  
13.5" X 22" DOUBLE SIDED  
PEGBOARD PANEL WITH 13.5" T-STRIP

**1 pc.**  
12" PLASTIC  
REVOLVING BASE

**2 pcs.**  
SCREWS

MADEIRAUSA.COM

800-225-3001

CONTACTUS@MADEIRAUSA.COM

ITEM **#155-B**

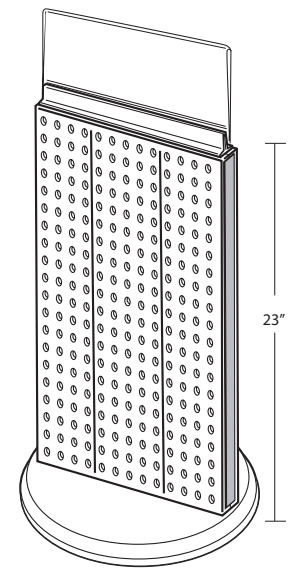
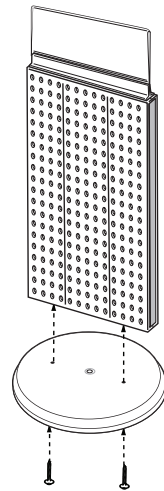
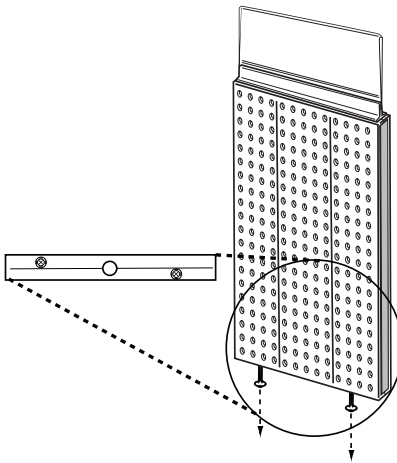
**13.5" X 22"**  
TABLETOP PRODUCT DISPLAY STAND



30 Bayside Court  
Laconia, NH 03246

Unscrew the two screws from the bottom of the pegboard panel.

Align the revolving base with the pegboard so the holes match. Secure the pegboard to the base with provided screws. Slide double-sided Madeira brand sign into plastic header or contact Madeira to customize a sign for you.



#155-B 13.5" X 22"

**1 pc.**  
13.5" X 22" DOUBLE SIDED  
PEGBOARD PANEL WITH 13.5" T-STRIP

**1 pc.**  
12" PLASTIC  
REVOLVING BASE

**2 pcs.**  
SCREWS

MADEIRAUSA.COM

800-225-3001

CONTACTUS@MADEIRAUSA.COM